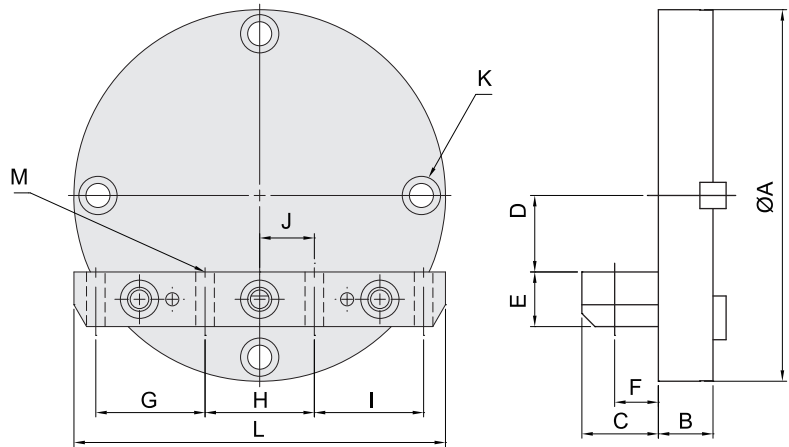
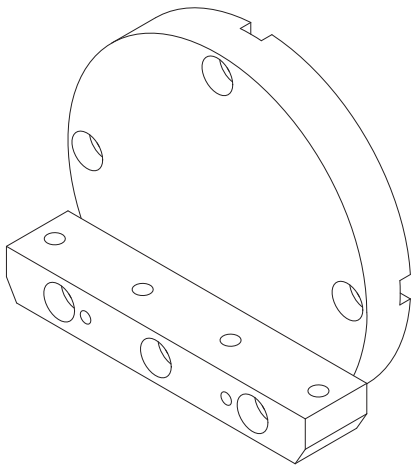


# 圓盤式L塊



## 規格表 SPECIFICATIONS

單位:mm

機型/尺寸	A	B	C	D	E	F	G	H	I	J	K	L	M
<b>DNC-170</b>	Ø170	25	35	35	25	20	50	50	50	25	M10	170	4-M10
<b>DNC-210</b>	Ø210	25	40	40	35	20	55	55	55	27.5	M10	200	4-M10
<b>DNC-250</b>	Ø250	25	40	45	40	20	75	75	75	37.5	M10	250	4-M10
<b>DNC-255</b>	Ø255	25	40	45	40	20	75	75	75	37.5	M10	250	4-M10
<b>DNC-320</b>	Ø320	30	45	45	45	22.5	85	85	85	42.5	M12	300	4-M12
<b>DNC-400</b>	Ø400	30	45	45	45	22.5	80	150	80	75	M12	400	4-M12

本公司保留產品規格尺寸，設計特性變更之權利，恕不另行通知。 All specifications, design and characteristics shown in this catalogue are subject to change without prior notice.